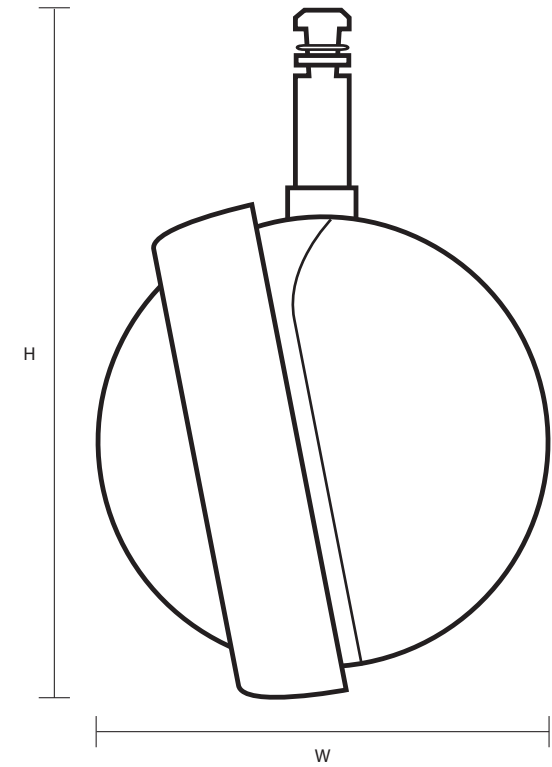
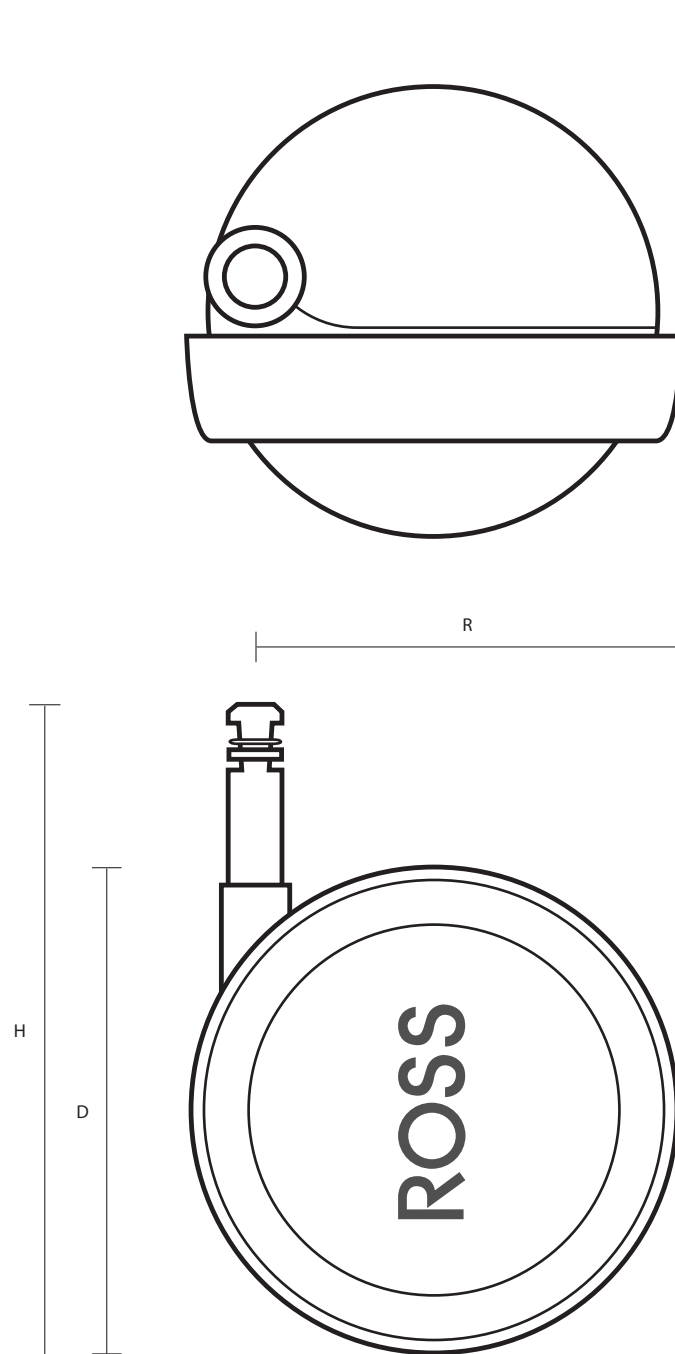


SHEP No. 46 (50mm Dark Brown Finish Shepherd Ball Castor With Peg & Socket Fitting)



| Castor Dimensions - Key | | |
|-------------------------|--------------------------------|------|
| D | Wheel Diameter | 50mm |
| L | Plate Dimension Length (mm) | N/A |
| L1 | Plate Dimension Width (mm) | N/A |
| C | Plate Hole Centers length (mm) | N/A |
| C1 | Plate Hole Centers width (mm) | N/A |
| D1 | Plate Hole Diameter (mm) | N/A |
| H | Total Castor Height | 56mm |
| W | Tread Width (mm) | N/A |
| R | Swivel Radius (mm) | N/A |
| | | |